

- **Integral Bonnet Tube OD Type**
- SS 316/316L Bar stock construction
- Standard Working Pressure 6,000 PSI with PTFE packing.
- 1/2" Tube OD
- Grafoil offered for higher temperatures.
- Standard NPT End Connections.
- Heat Code Traceability.
- NACE MR-01-75 Compliant materials available on request.
- 3.1 Certificates furnished.
- Vent Plugs or Bleed Valves provided on request.
- PMI certificates available on request.

**Optional Materials Available :**

SS 316L, Hastelloy C276, Monel

**Temperature Rating :**

PTFE 450°F (232°C) Grafoil 700°F (371°C)

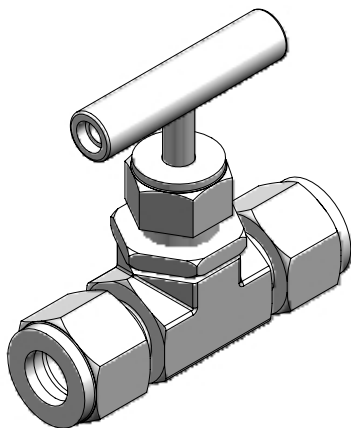
**Body :** Normal Body Type**Inlet :** MNPT**Outlet :** FNPT**Bonnet Assembly :**

Screwed Bonnet Design

Back Seat Blow Out proof

Spindle - Ground and thread rolled, packing below the threads

Spindle Tip - Non-Rotating tip shut-off type &amp; soft Seated



- \* For any other material / size combinations, please contact the sales department.
- \* All specifications are subject to change without notice
- \* All sales subject to standard terms and conditions.