



NEEDLE VALVES

- **Square Body Type with Vent, Male – Female Connection**
- SS 316/316L Bar stock construction
- Standard Working Pressure 6,000 PSI with PTFE packing.
- Optional 10,000, 15,000 & 20,000 PSI available on request
- Grafoil offered for higher temperatures.
- Standard NPT End Connections.
- Heat Code Traceability.
- NACE MR-01-75 Compliant materials available on request.
- 3.1 Certificates furnished.
- PMI certificates available on request.

Optional Materials Available :

SS 316L, Hastelloy C276, Monel

Temperature Rating :

PTFE 450°F (232°C) Grafoil 700°F (371°C)

Body : Normal Body Type

Inlet : MNPT

Outlet : FNPT

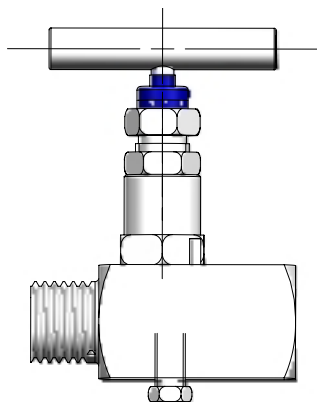
Bonnet Assembly :

Screwed Bonnet Design

Back Seat Blow Out proof

Spindle – Ground and thread rolled, packing below the threads

Spindle Tip – Non-Rotating tip shut-off type & soft Seated



Model	Valve Size	Orifice Dia in mm
MNV-SB-MFV-1	1/4"	10
MNV-SB-MFV-2	3/8"	10
MNV-SB-MFV-3	1/2"	11
MNV-SB-MFV-4	3/4"	16
MNV-SB-MFV-5	1"	16

* For any other material / size combinations, please contact the sales department.
 * All specifications are subject to change without notice
 * All sales subject to standard terms and conditions.

