



- **T Type Needle Valve, Male – Female Connection**
- SS 316/316L Bar stock construction
- Standard Working Pressure 10,000 PSI with PTFE packing.
- Standard End Connections 1/2”.
- Grafoil offered for higher temperatures.
- Standard NPT End Connections.
- Heat Code Traceability.
- NACE MR-01-75 Compliant materials available on request.
- 3.1 Certificates furnished.
- Vent Plugs or Bleed Valves provided on request.
- PMI certificates available on request.

Optional Materials Available :

SS 316L, Hastelloy C276, Monel

Temperature Rating :

PTFE 450°F (232°C) Grafoil 700°F (371°C)

Body : Normal Body Type

Inlet : MNPT

Outlet : FNPT

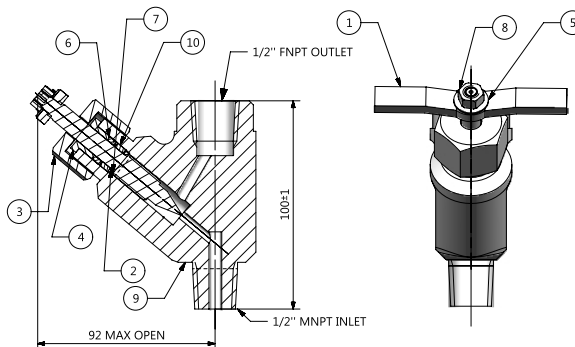
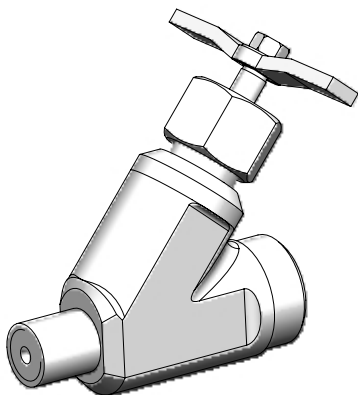
Bonnet Assembly :

Screwed Bonnet Design

Back Seat Blow Out proof

Spindle – Ground and thread rolled, packing below the threads

Spindle Tip – Non-Rotating tip shut-off type & soft Seated



- * For any other material / size combinations, please contact the sales department.
- * All specifications are subject to change without notice
- * All sales subject to standard terms and conditions.